

BLITZ SUPER

Технические характеристики

По вопросам продаж и поддержки обращайтесь:

Алматы (7273)495-231
Ангарск (3955)60-70-56
Архангельск (8182)63-90-72
Астрахань (8512)99-46-04
Барнаул (3852)73-04-60
Белгород (4722)40-23-64
Благовещенск (4162)22-76-07
Брянск (4832)59-03-52
Владивосток (423)249-28-31
Владикавказ (8672)28-90-48
Владимир (4922)49-43-18
Волгоград (844)278-03-48
Вологда (8172)26-41-59
Воронеж (473)204-51-73
Екатеринбург (343)384-55-89
Иваново (4932)77-34-06
Ижевск (3412)26-03-58
Иркутск (395)279-98-46
Казань (843)206-01-48

Калининград (4012)72-03-81
Калуга (4842)92-23-67
Кемерово (3842)65-04-62
Киров (8332)68-02-04
Коломна (4966)23-41-49
Кострома (4942)77-07-48
Краснодар (861)203-40-90
Красноярск (391)204-63-61
Курск (4712)77-13-04
Курган (3522)50-90-47
Липецк (4742)52-20-81
Магнитогорск (3519)55-03-13
Москва (495)268-04-70
Мурманск (8152)59-64-93
Набережные Челны (8552)20-53-41
Нижний Новгород (831)429-08-12
Новокузнецк (3843)20-46-81
Ноябрьск (3496)41-32-12
Новосибирск (383)227-86-73

Омск (3812)21-46-40
Орел (4862)44-53-42
Оренбург (3532)37-68-04
Пенза (8412)22-31-16
Петрозаводск (8142)55-98-37
Псков (8112)59-10-37
Пермь (342)205-81-47
Ростов-на-Дону (863)308-18-15
Рязань (4912)46-61-64
Самара (846)206-03-16
Саранск (8342)22-96-24
Санкт-Петербург (812)309-46-40
Саратов (845)249-38-78
Севастополь (8692)22-31-93
Симферополь (3652)67-13-56
Смоленск (4812)29-41-54
Сочи (862)225-72-31
Ставрополь (8652)20-65-13
Сургут (3462)77-98-35

Сыктывкар (8212)25-95-17
Тамбов (4752)50-40-97
Тверь (4822)63-31-35
Тольятти (8482)63-91-07
Томск (3822)98-41-53
Тула (4872)33-79-87
Тюмень (3452)66-21-18
Ульяновск (8422)24-23-59
Улан-Удэ (3012)59-97-51
Уфа (347)229-48-12
Хабаровск (4212)92-98-04
Чебоксары (8352)28-53-07
Челябинск (351)202-03-61
Череповец (8202)49-02-64
Чита (3022)38-34-83
Якутск (4112)23-90-97
Ярославль (4852)69-52-93

Россия +7(495)268-04-70

Киргизия +996(312)-96-26-47

Казахстан +7(7172)727-132



Low thermal inertia



Low water content



Versatility



Easy to stock and install



16 bar
Maximum working pressure



3 international patents



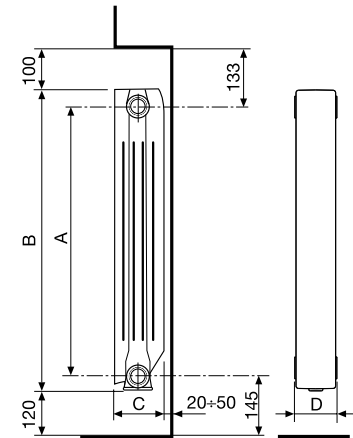
SIDE KIT, AVAILABLE ON REQUEST AS AN ACCESSORY (AVAILABLE IN PURE WHITE RAL 9010 ONLY)



Standard supply	800: from 3 to 10 sections 700: from 3 to 12 sections 600/500/350: from 3 to 14 sections "Fondital logo" from 6 sections
Colours	PURE WHITE RAL 9010
Maximum working pressure	16 bar
Test pressure	24 bar

All models **Blitz Super B4** are guaranteed **10 years** from installation date on manufacturing faults, provided that the installation has been performed in compliance with the current norms and respecting the instructions relating to the installation, the correct use and the correct maintenance as illustrated on this catalogue.

Model	Heat output					
	ΔT 20	ΔT 30	ΔT 40	ΔT 50	ΔT 60	ΔT 70
	W/sect.	W/sect.	W/sect.	W/sect.	W/sect.	W/sect.
350/100	28,6	48,0	69,4	92,4	116,8	142,3
500/100	37,6	63,7	92,7	124,0	157,2	192,1
600/100	43,5	73,8	107,3	143,5	181,9	222,3
700/100	48,3	82,6	120,9	162,5	206,8	253,6
800/100	52,7	90,3	132,4	178,2	227,1	278,8



MEASURES EXPRESSED IN MILLIMETRES

Model	Code PURE WHITE RAL 9010	Depth	Height	Centre distance	Length	Connection diameters	Water capacity	Exponent	Coefficient
		(C) mm	(B) mm	(A) mm	(D) mm	inches	litres/sect.	n	Km
350/100	V693014	97	407	350	80	G1	0,24	1,2818	0,6139
500/100	V693034	97	557	500	80	G1	0,27	1,3027	0,7587
600/100	V693044	97	657	600	80	G1	0,29	1,3015	0,8822
700/100	V693054	97	757	700	80	G1	0,35	1,3238	0,9155
800/100	V693064	97	857	800	80	G1	0,38	1,3301	0,9796

Maximum working pressure: 1600 kpa (16 bar) Maximum working temperature: 120 °CCharacteristic equation of the model $\Phi = Km \Delta T^n$

The thermal efficiency values shown comply with the European Standard EN 442-1:2014 and are certified by the MRT Lab of the Milan Polytechnic, notified body N°1695.

Item	Description	Code
	A 80 The radiator fixing kit includes: 2 Rh G 1/2" adapters; 2 Lh G 1/2" adapters, galvanized and painted; 4 sealing gaskets; 1 G 1/2" manual bleed valve with seal; 1 G 1/2" blind plug with seal	550103
	A 81 The radiator fixing kit includes: 2 Rh G 1/2" adapters; 2 Lh G 1/2" adapters, galvanized and painted; 4 sealing gaskets; 1 G 1/2" manual bleed valve with seal; 1 G 1/2" blind plug with seal; 3 brackets	550104
	A 2/1 RH/LH G 1" Nipple	510011
	A 10/1 1" Seals for nipples (without asbestos)	530105
	A 11/1 1" Seals for plugs (without asbestos)	530108
	A 20 Kit with two adjustable coated brackets	550037
	- Side kit 350 mm (2 piec.) - Colour: PURE WHITE RAL 9010	550360
	- Side kit 500 mm (2 piec.) - Colour: PURE WHITE RAL 9010	550361
	- Side kit 600 mm (2 piec.) - Colour: PURE WHITE RAL 9010	550362
	- Side kit 700 mm (2 piec.) - Colour: PURE WHITE RAL 9010	550363
	- Side kit 800 mm (2 piec.) - Colour: PURE WHITE RAL 9010	550364

For other accessories, see from page 65



CLASSIC: SILVER



SPECIAL: HAMMERED BLACK



Low thermal inertia



Low water content



Versatility



Easy to stock and install



16
bar

Maximum working pressure



Available in 9 colours



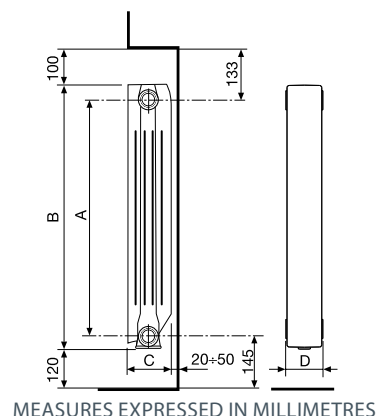
Standard supply	800: from 3 to 10 sections
	700: from 3 to 12 sections
	600/500/350: from 3 to 14 sections
Colours	see colours table
Maximum working pressure	16 bar
Test pressure	24 bar

Combinable with the models
Garda S/90 coloured, see p. 38

For aesthetic reasons, it is not recommended to disassemble batteries. Instead, batteries can be assembled together to make larger compositions than those supplied by the factory.

All models **Blitz Super B4** are guaranteed **10 years** from installation date on manufacturing faults, provided that the installation has been performed in compliance with the current norms and respecting the instructions relating to the installation, the correct use and the correct maintenance as illustrated on this catalogue.

Model	Heat output					
	ΔT 20	ΔT 30	ΔT 40	ΔT 50	ΔT 60	ΔT 70
	W/sect.	W/sect.	W/sect.	W/sect.	W/sect.	W/sect.
350/100	28,6	48,0	69,4	92,4	116,8	142,3
500/100	37,6	63,7	92,7	124,0	157,2	192,1
600/100	43,5	73,8	107,3	143,5	181,9	222,3
700/100	48,3	82,6	120,9	162,5	206,8	253,6
800/100	52,7	90,3	132,4	178,2	227,1	278,8



Model with CLASSIC color	Code (*)	Depth	Height	Centre distance	Length	Connection diameters	Water capacity	Exponent	Coefficient
		(C) mm	(B) mm	(A) mm	(D) mm	inches	litres/sect.	n	Km
350/100	VC05xx014	97	407	350	80	G1	0,24	1,2818	0,6139
500/100	VC05xx034	97	557	500	80	G1	0,27	1,3027	0,7587
600/100	VC05xx044	97	657	600	80	G1	0,29	1,3015	0,8822
700/100	VC05xx054	97	757	700	80	G1	0,35	1,3238	0,9155
800/100	VC05xx064	97	857	800	80	G1	0,38	1,3301	0,9796

Model for colour SPECIAL	Code (*)	Depth	Height	Centre distance	Length	Connection diameters	Water capacity	Exponent	Coefficient
		(C) mm	(B) mm	(A) mm	(D) mm	inches	litres/sect.	n	Km
350/100	VC05xx014	97	407	350	80	G1	0,24	1,2818	0,6139
500/100	VC05xx034	97	557	500	80	G1	0,27	1,3027	0,7587
600/100	VC05xx044	97	657	600	80	G1	0,29	1,3015	0,8822
700/100	VC05xx054	97	757	700	80	G1	0,35	1,3238	0,9155
800/100	VC05xx064	97	857	800	80	G1	0,38	1,3301	0,9796

Maximum working pressure: 1600 kpa (16 bar) Maximum working temperature: 120 °C

Characteristic equation of the model $\Phi = Km \Delta T^n$

The thermal efficiency values shown comply with the European Standard EN 442-1:2014 and are certified by the MRT Lab of the Milan Polytechnic, notified body N°1695.

(*) Enter the colour code instead of xx. After the last digit (4) add the number of elements required.

For example, to request the **Blitz Super B4 350/100 (VC05xx014) Silver colour of 3 elements**, the code would be **VC05 + 07 + 01403**

CLASSIC					
NEUTRAL WHITE	SILVER	GRAPHITE	SLATE GREY	BLACK COFFEE	BRONZE
Cod. 06	Cod. 07	Cod. 3R	Cod. 3B	Cod. 3V	Cod. 08

SPECIAL	
HAMMERED BLACK	PURE METAL
Cod. 17	Cod. 18

Item	Description	Colour	Code
	1/2" plug and fixing kit - Colour: ACCORDING TO THE CHOICE 2 Rh G 1/2" adapters; 2 Lh G 1/2" adapters; 4 retaining gaskets for model Blitz 4 retaining gaskets for model Garda 1/2" manual air-purging valve with gasket; 1 Rh G 1" blind plug; 1 Lh G 1" blind plug; 4 fixing brackets.	NEUTRAL WHITE SILVER BRONZE HAMMERED BLACK SLATE GREY GRAPHITE BLACK COFFEE PURE METAL	55014906 55014907 55014908 55014917 5501493B 5501493R 5501493V 55014918
	A 2/1 RH/LH G 1" Nipple	-	510011
	A 10/1 1" Seals for nipples (without asbestos)	-	530105
	A 11/1 1" Seals for plugs (without asbestos)	-	530108

For other accessories, see from page 65



Low thermal inertia



Low water content



Versatility



Easy to stock and install



16 bar Maximum working pressure



3 international patents



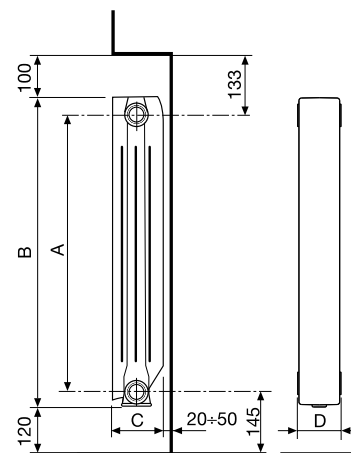
SIDE KIT, AVAILABLE ON REQUEST AS AN ACCESSORY (AVAILABLE IN PURE WHITE RAL 9010 ONLY)



Standard supply	500: from 3 to 14 sections "Fondital logo" from 6 sections
Colours	PURE WHITE RAL 9010
Maximum working pressure	16 bar
Test pressure	24 bar

All models **Blitz B3** are guaranteed **10 years** from installation date on manufacturing faults, provided that the installation has been performed in compliance with the current norms and respecting the instructions relating to the installation, the correct use and the correct maintenance as illustrated on this catalogue.

Model	Heat output					
	ΔT 20	ΔT 30	ΔT 40	ΔT 50	ΔT 60	ΔT 70
	W/sect.	W/sect.	W/sect.	W/sect.	W/sect.	W/sect.
500/100	37,1	62,3	89,9	119,5	150,8	183,6










MEASURES EXPRESSED IN MILLIMETRES

Model	Code	Depth	Height	Centre distance	Length	Connection diameters	Water capacity	Exponent	Coefficient
		(C) mm	(B) mm	(A) mm	(D) mm	inches	litres/sect.	n	Km
500/100	V659034	97	557	500	80	G1	0,26	1,2767	0,8097

Maximum working pressure: 1600 kpa (16 bar) Maximum working temperature: 120 °C

Characteristic equation of the model $\Phi = Km \Delta T^n$

The thermal efficiency values shown comply with the European Standard EN 442-1:2014 and are certified by the MRT Lab of the Milan Polytechnic, notified body N°1695.

Item	Description	Code
	A 80 The radiator fixing kit includes: 2 Rh G 1/2" adapters; 2 Lh G 1/2" adapters, galvanized and painted; 4 sealing gaskets; 1 G 1/2" manual bleed valve with seal; 1 G 1/2" blind plug with seal	550103
	A 81 The radiator fixing kit includes: 2 Rh G 1/2" adapters; 2 Lh G 1/2" adapters, galvanized and painted; 4 sealing gaskets; 1 G 1/2" manual bleed valve with seal; 1 G 1/2" blind plug with seal; 3 brackets	550104
	A 2/1 RH/LH G 1" Nipple	510011
	A 10/1 1" Seals for nipples (without asbestos)	530105
	A 11/1 1" Seals for plugs (without asbestos)	530108
	A 20 Kit with two adjustable coated brackets	550037
	- Side kit 500 mm (2 piec.) - Colour: PURE WHITE RAL 9010	550361

For other accessories, see from page 65

По вопросам продаж и поддержки обращайтесь:

Алматы (7273)495-231
Ангарск (3955)60-70-56
Архангельск (8182)63-90-72
Астрахань (8512)99-46-04
Барнаул (3852)73-04-60
Белгород (4722)40-23-64
Благовещенск (4162)22-76-07
Брянск (4832)59-03-52
Владивосток (423)249-28-31
Владикавказ (8672)28-90-48
Владимир (4922)49-43-18
Волгоград (844)278-03-48
Вологда (8172)26-41-59
Воронеж (473)204-51-73
Екатеринбург (343)384-55-89
Иваново (4932)77-34-06
Ижевск (3412)26-03-58
Иркутск (395)279-98-46
Казань (843)206-01-48

Калининград (4012)72-03-81
Калуга (4842)92-23-67
Кемерово (3842)65-04-62
Киров (8332)68-02-04
Коломна (4966)23-41-49
Кострома (4942)77-07-48
Краснодар (861)203-40-90
Красноярск (391)204-63-61
Курск (4712)77-13-04
Курган (3522)50-90-47
Липецк (4742)52-20-81
Магнитогорск (3519)55-03-13
Москва (495)268-04-70
Мурманск (8152)59-64-93
Набережные Челны (8552)20-53-41
Нижний Новгород (831)429-08-12
Новокузнецк (3843)20-46-81
Ноябрьск (3496)41-32-12
Новосибирск (383)227-86-73

Омск (3812)21-46-40
Орел (4862)44-53-42
Оренбург (3532)37-68-04
Пенза (8412)22-31-16
Петрозаводск (8142)55-98-37
Псков (8112)59-10-37
Пермь (342)205-81-47
Ростов-на-Дону (863)308-18-15
Рязань (4912)46-61-64
Самара (846)206-03-16
Саранск (8342)22-96-24
Санкт-Петербург (812)309-46-40
Саратов (845)249-38-78
Севастополь (8692)22-31-93
Симферополь (3652)67-13-56
Смоленск (4812)29-41-54
Сочи (862)225-72-31
Ставрополь (8652)20-65-13
Сургут (3462)77-98-35

Сыктывкар (8212)25-95-17
Тамбов (4752)50-40-97
Тверь (4822)63-31-35
Тольятти (8482)63-91-07
Томск (3822)98-41-53
Тула (4872)33-79-87
Тюмень (3452)66-21-18
Ульяновск (8422)24-23-59
Улан-Удэ (3012)59-97-51
Уфа (347)229-48-12
Хабаровск (4212)92-98-04
Чебоксары (8352)28-53-07
Челябинск (351)202-03-61
Череповец (8202)49-02-64
Чита (3022)38-34-83
Якутск (4112)23-90-97
Ярославль (4852)69-52-93

Россия +7(495)268-04-70

Киргизия +996(312)-96-26-47

Казахстан +7(7172)727-132